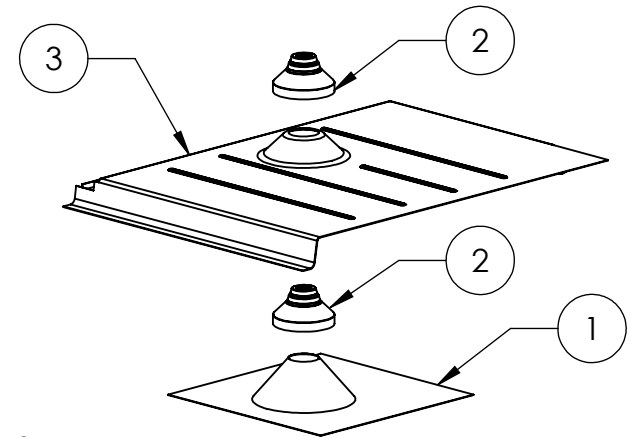


ITEM NO.	DESCRIPTION	QTY.
1	SUB-FLASHING, CONE, 9"X9"X.020"/.032", 3003 AL, MILL	1
2	COUNTER FLASHING, CONDUIT, 1/2", 3/4", 1", EPDM RUBBER	2
3	FLASHING, REPLACEMENT TILE, FLAT, 1" CONE, ALUMINUM, MILL	1



NOTES:

1. AVAILABLE IN MILL FINISH, AND BLACK FINISH
2. FLASHINGS MAY BE SPUN, OR PRESSED
3. ITEM 3 MATERIAL THICKNESS: .032"
4. ITEM 1 MATERIAL THICKNESS: .020" SPUN, .032" PRESSED

Quick Mount PV

TITLE:

QMCPT-F: CONDUIT PENETRATION FLASHING, TILE REPLACEMENT, FLAT TILE

UNLESS OTHERWISE SPECIFIED:

DIMENSIONS ARE IN INCHES
 TOLERANCES:
 FRACTIONAL ± 1/8
 TWO PLACE DECIMAL ±.19
 THREE PLACE DECIMAL ±.094

SIZE

A

DRAWN BY: AAP

DATE: 6/13/2019

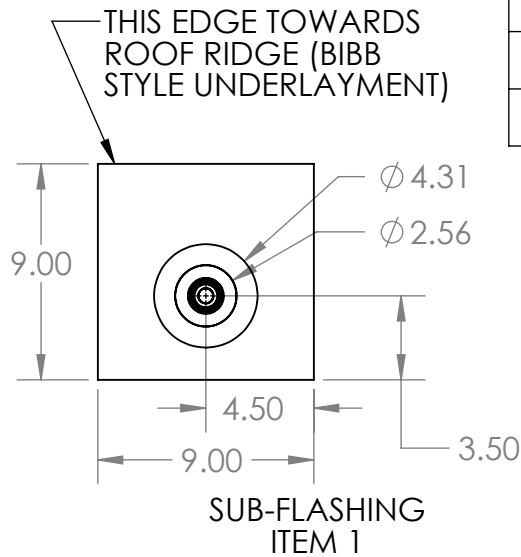
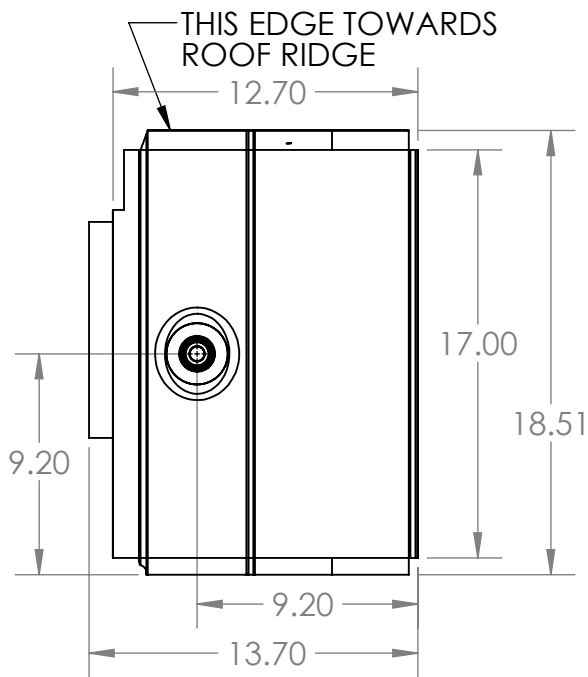
REV

2

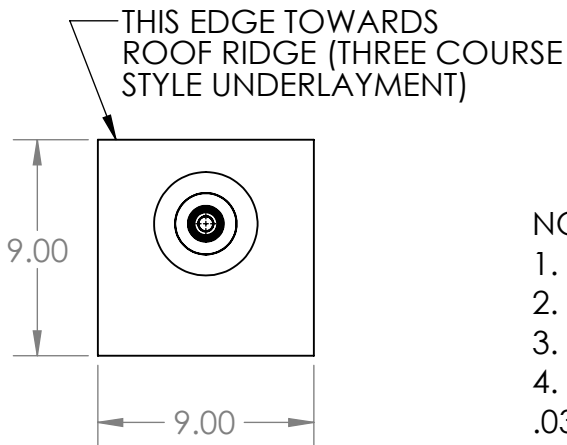
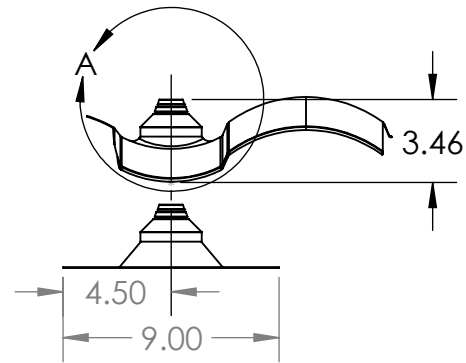
SCALE: 1:8

WEIGHT: 1.22

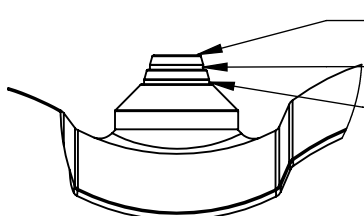
SHEET 1 OF 1



SUB-FLASHING
ITEM 1



SUB-FLASHING
ITEM 1 (ROTATED)



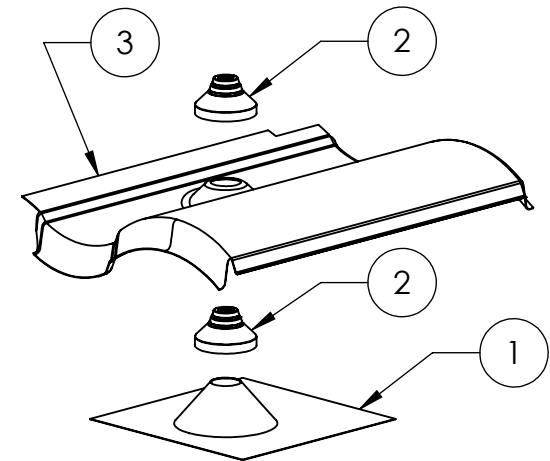
TOP ID FOR 1/2" CONDUIT
CUT HERE FOR 3/4" CONDUIT
CUT HERE FOR 1" CONDUIT

APPLY EPDM COMPATIBLE SEALANT
WHERE COUNTER FLASHING CONTACTS FLASHING

NOTES APPLY TO UPPER AND
LOWER COUNTER FLASHINGS

DETAIL A
SCALE 1 : 4

ITEM NO.	DESCRIPTION	QTY.
1	SUB-FLASHING, CONE, 9"X9"X.020"/.032", 3003 AL, MILL	1
2	COUNTER FLASHING, CONDUIT, 1/2", 3/4", 1", EPDM RUBBER	2
3	FLASHING, REPLACEMENT TILE, S-TILE, .625" CONE, ALUMINUM, MILL	1



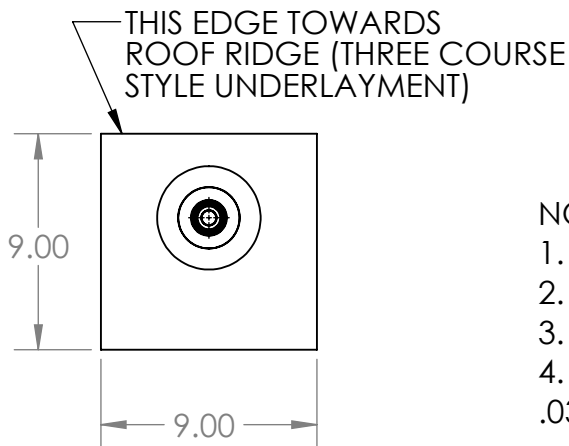
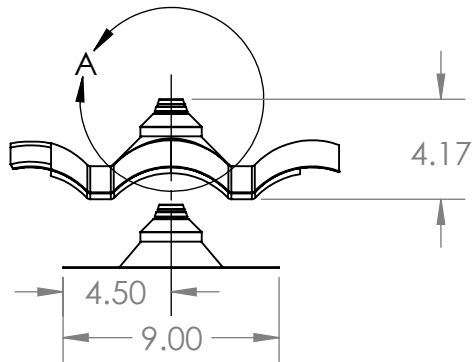
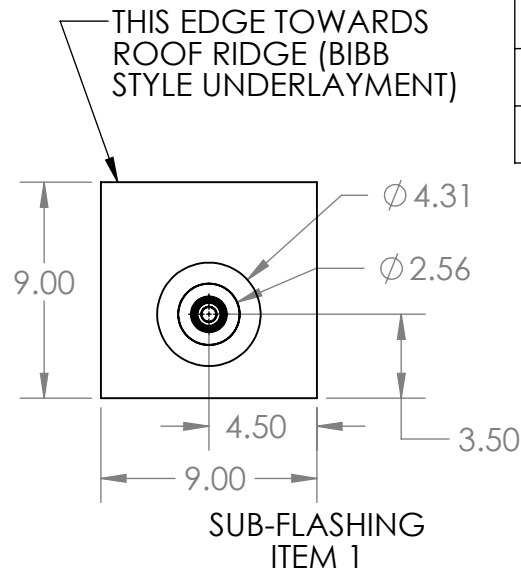
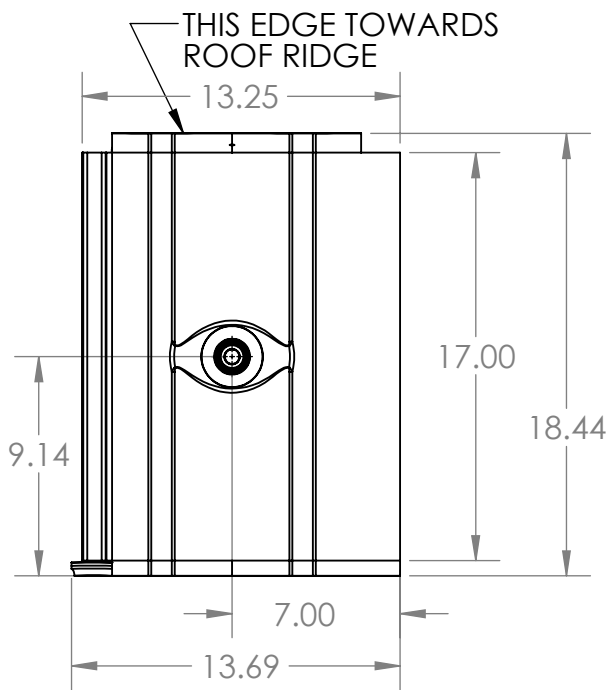
NOTES:

1. AVAILABLE IN MILL FINISH, AND BLACK FINISH
2. FLASHINGS MAY BE SPUN, OR PRESSED
3. ITEM 3 MATERIAL THICKNESS: .032"
4. ITEM 1 MATERIAL THICKNESS: .020" SPUN, .032" PRESSED

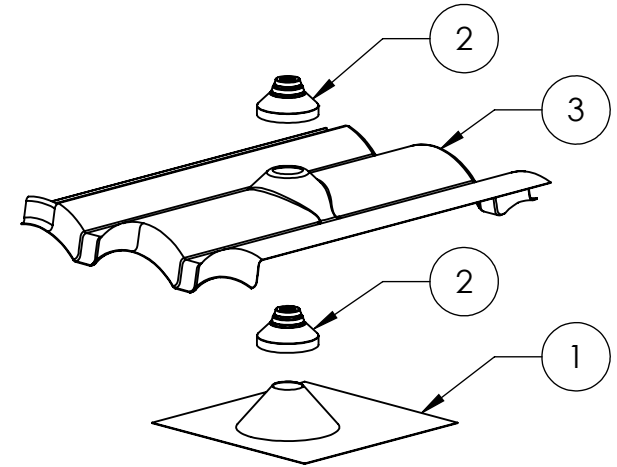


TITLE:
**QMCPT-S: CONDUIT PENETRATION
FLASHING, TILE REPLACEMENT, S-TILE**

UNLESS OTHERWISE SPECIFIED: DIMENSIONS ARE IN INCHES TOLERANCES: FRACTIONAL $\pm 1/8$ TWO PLACE DECIMAL $\pm .19$ THREE PLACE DECIMAL $\pm .094$	SIZE A	DRAWN BY: AAP	REV 2
	SCALE: 1:8	DATE: 6/13/2019	WEIGHT: 1.16
		SHEET 1 OF 1	



ITEM NO.	DESCRIPTION	QTY.
1	SUB-FLASHING, CONE, 9"X9"X.020"/.032", 3003 AL, MILL	1
2	COUNTER FLASHING, CONDUIT, 1/2", 3/4", 1", EPDM RUBBER	2
3	FLASHING, REPLACEMENT TILE, W-TILE, .625" CONE, ALUMINUM, MILL	1



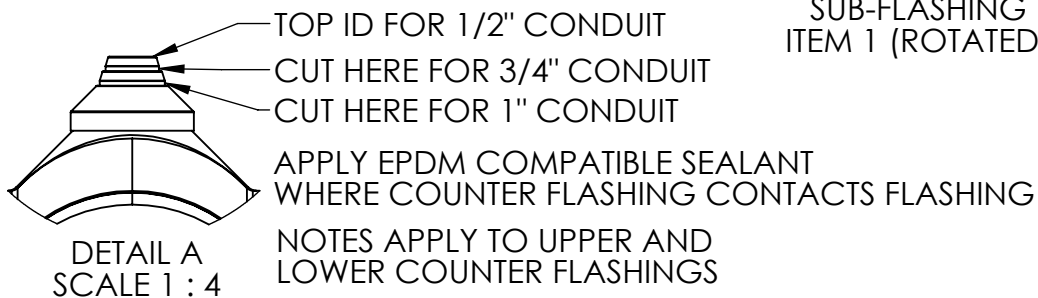
NOTES:

1. AVAILABLE IN MILL FINISH, AND BLACK FINISH
2. FLASHINGS MAY BE SPUN, OR PRESSED
3. ITEM 3 MATERIAL THICKNESS: .032"
4. ITEM 1 MATERIAL THICKNESS: .020" SPUN, .032" PRESSED

Quick Mount PV[®]

TITLE:
QMCPT-W: CONDUIT PENETRATION FLASHING, TILE REPLACEMENT, W-TILE

UNLESS OTHERWISE SPECIFIED: DIMENSIONS ARE IN INCHES TOLERANCES: FRACTIONAL ± 1/8 TWO PLACE DECIMAL ± .19 THREE PLACE DECIMAL ± .094	SIZE A	DRAWN BY: AAP	REV 2
	SCALE: 1:8	DATE: 6/13/2019	WEIGHT: 1.22
		SHEET 1 OF 1	



DETAIL A
SCALE 1 : 4

APPLY EPDM COMPATIBLE SEALANT WHERE COUNTER FLASHING CONTACTS FLASHING

NOTES APPLY TO UPPER AND LOWER COUNTER FLASHINGS